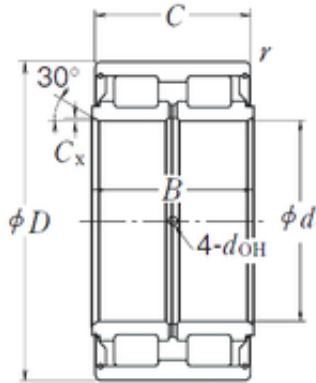




Jinan Longli Machinery Parts Co., Ltd



RS-5052 Bearing 2D drawings and 3D CAD models

RS-5052 NSK CYLINDRICAL ROLLER BEARING

Bearing No. RS-5052

Size	260x400x190 mm
Bore Diameter	260 mm
Outer Diameter	400 mm
Width	190 mm
d	260 mm
D	400 mm
B	190 mm
C	189 mm
r min.	1,5 mm
C2	2 mm
Weight	86 Kg
Basic dynamic load rating (C)	2130 kN
Basic static load rating (C0)	4500 kN
hidYobi	RS-5052
LangID	1
D_	400
B_	190
hidTable	ecat_NSCLDRSG
Cx	2
mass	86
GRS rpm	360
da_min	270
C0	4500
DE_	370
Prod_Type3	CRB_FRFS_PT_WOLR



Jinan Longli Machinery Parts Co., Ltd

DA_	36
Z_	29
r_min	1.5
yobi	RS-5052
SDM_	334
r	189
KBRG	4220
DI_	298
doh	8