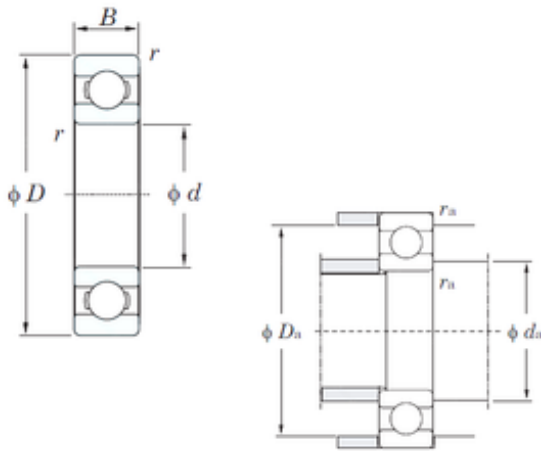




# Jinan Longli Machinery Parts Co., Ltd

## Hot Sale NSK Koyo NTN Deep Groove Ball Bearing 6205

Bearing No. 6205



6205 Bearing 2D drawings and 3D CAD models

|                               |                          |
|-------------------------------|--------------------------|
| Size                          | 25x52x15 mm              |
| Bore Diameter                 | 25 mm                    |
| Outer Diameter                | 52 mm                    |
| Width                         | 15 mm                    |
| d                             | 25 mm                    |
| D                             | 52 mm                    |
| B                             | 15 mm                    |
| C                             | 15 mm                    |
| r min.                        | 1 mm                     |
| da min.                       | 30 mm                    |
| Da max.                       | 47 mm                    |
| ra max.                       | 1 mm                     |
| Weight                        | 0,128 Kg                 |
| Basic dynamic load rating (C) | 14 kN                    |
| Basic static load rating (C0) | 7,85 kN                  |
| (Grease) Lubrication Speed    | 13000 r/min              |
| (Oil) Lubrication Speed       | 15000 r/min              |
| Category                      | Single Row Ball Bearings |
| Inventory                     | 0.0                      |
| Manufacturer Name             | KOYO                     |
| Minimum Buy Quantity          | N/A                      |
| Weight / Kilogram             | 0.142                    |
| EAN                           | 0605790059476            |
| Product Group                 | B00308                   |
| Enclosure                     | Open                     |



## Jinan Longli Machinery Parts Co., Ltd

|                                 |   |
|---------------------------------|---|
| Precision Class                 | ABEC 1   ISO P0   |
| Maximum Capacity / Filling Slot | No  |
| Rolling Element                 | Ball Bearing  |
| Snap Ring                       | No  |
| Internal Special Features       | No  |
| Cage Material                   | Steel   |
| Internal Clearance              | C0-Medium   |
| Inch - Metric                   | Metric  |
| Long Description                | 25MM Bore; 52MM Outside Diameter; 15MM Outer Race Width; Open; Ball Bearing; ABEC 1   ISO P0; No Filling Slot; No Snap Ring; No Internal Special Features; C0-Medium Internal Clearance; Steel Cage |
| Other Features                  | Deep Groove   |
| Category                        | Single Row Ball Bearing   |
| UNSPSC                          | 31171504  |
| Harmonized Tariff Code          | 8482.10.50.68   |
| Noun                            | Bearing   |
| Keyword String                  | Ball  |
| Manufacturer URL                | <a href="http://www.koyousa.com">http://www.koyousa.com</a>   |
| Weight / LBS                    | 0.28219   |
| Inner Race Width                | 0 Inch   0 Millimeter   |
| Outer Race Width                | 0.591 Inch   15 Millimeter  |
| Bore                            | 0.984 Inch   25 Millimeter  |
| Outside Diameter                | 2.047 Inch   52 Millimeter  |
| Bearing No.                     | 6205  |
| r(min)                          | 1   |
| Cr                              | 17.5  |
| C0r                             | 7.85  |
| Cu                              | 0.550   |



## Jinan Longli Machinery Parts Co., Ltd

|                   |       |
|-------------------|-------|
| f0                | 13.9  |
| Grease lub.       | 13000 |
| Oil lub.          | 15000 |
| da(min)           | 30    |
| Da(max)           | 47    |
| ra(max)           | 1     |
| (Refer.) Mass(kg) | 0.128 |